

# Technical Specifications - DiamondShield Series

DSW

Flush Bonded Window "HPL" configuration - Hinged, 2 lockable pull latches



## HPL Construction

<b>Material</b>	Hot compression molded fiberglass reinforced polyester (thermoset)
<b>Gasket</b>	Poured polyurethane seamless gasket provides watertight, dust-tight environmental seal
<b>Recessed Screws</b>	No protruding surfaces
<b>Stainless Steel Hardware</b>	300 Series stainless used on all hardware
<b>Mounting Bosses</b>	Panel mounting capability for fixed rear panel
<b>Metal inserts</b>	All bosses utilize threaded brass inserts accepting 10-32 screws
<b>Soft Edge Design</b>	Rounded edges, minimal protrusions or exposed pocket areas for assembly of dust and debris
<b>Bonded Window</b>	Precision routed flush bonded Super Abrasion Resistant acrylic material for maximum visibility

## HPL Industry Standards

<b>UL/cUL 50</b>	File E64358 Type 1, 3, 3s, 4X, 12, 13
<b>NEMA 250</b>	Type 1, 3, 3s, 4X, 12, 13
<b>CSA Std C22.2</b>	File LR069014 Type 1, 3, 3s, 4X, 12, 13
<b>IEC 60529</b>	IP66
<b>Temperature Range</b>	(-76°F to +274°F) (-60°C to +134°C)
<b>Flammability Rating</b>	UL94-5V
<b>Window Temperature Range</b>	(-26°F to +170°F) (-32°C to +76°C)
<b>Window Flammability</b>	UL94-HB
<b>Self Extinguishing</b>	Non-Halogenated, Non-flame propagating
<b>Chemical Resistance</b>	Full chemical resistance charts listed in appendix
<b>NFPA No. 101 Flame Spread</b>	Class A (1)

### NOTES:

## HPL Accessories

### Back Panels

<b>Aluminum</b>	BP_AL	pg. 149 - 150
<b>Fiberglass</b>	BP_FG	pg. 149 - 150
<b>Stainless Steel</b>	BP_SS	pg. 149 - 150
<b>Carbon Steel</b>	BP_CS	pg. 149 - 150

### Mounting Feet

<b>Mounting Feet</b>	pg. 39
----------------------	--------

### Accessories

<b>Drain &amp; Breather Vents</b>	pg. 144, 146
<b>Hole Plugs</b>	pg. 145
<b>Assorted Hubs and Cord Grips</b>	pg. 145, 148
<b>All Other Accessories</b>	pg. 144 - 159

## HPL Modifications

<b>Custom Colors</b>	pg. 12 - 13
<b>Silk Screening</b>	pg. 12 - 13
<b>EMI/RFI Shielding</b>	pg. 12 - 13
<b>Custom Window</b>	pg. 12 - 13
<b>Custom Cutouts/Holes</b>	pg. 12 - 13

HLL

# Technical Specifications - DiamondShield Series

DSW

*Flush Bonded Window "HLL" configuration - Hinged, 2 lockable link latches*



## HLL Construction

<b>Material</b>	Hot compression molded fiberglass reinforced polyester (thermoset)
<b>Gasket</b>	Poured polyurethane seamless gasket provides watertight, dust-tight environmental seal
<b>Recessed Screws</b>	No protruding surfaces
<b>Stainless Steel Hardware</b>	300 Series stainless used on all hardware
<b>Mounting Bosses</b>	Panel mounting capability for fixed rear panel
<b>Metal inserts</b>	All bosses utilize threaded brass inserts accepting 10-32 screws
<b>Soft Edge Design</b>	Rounded edges, minimal protrusions or exposed pocket areas for assembly of dust and debris
<b>Bonded Window</b>	Precision routed flush bonded Super Abrasion Resistant acrylic material for maximum visibility

## HLL Industry Standards

<b>UL/cUL 50</b>	File E64358 Type 1, 3, 3s, 4X, 12, 13
<b>NEMA 250</b>	Type 1, 3, 3s, 4X, 12, 13
<b>CSA Std C22.2</b>	File LR069014 Type 1, 3, 3s, 4X, 12, 13
<b>IEC 60529</b>	IP66
<b>Temperature Range</b>	(-76°F to +274°F) (-60°C to +134°C)
<b>Flammability Rating</b>	UL94-5V
<b>Window Temperature Range</b>	(-26°F to +170°F) (-32°C to +76°C)
<b>Window Flammability</b>	UL94-HB
<b>Self Extinguishing</b>	Non-Halogenated, Non-flame propagating
<b>Chemical Resistance</b>	Full chemical resistance charts listed in appendix
<b>NFPA No. 101 Flame Spread</b>	Class A (1)

## NOTES:

## HLL Accessories

### Back Panels

<b>Aluminum</b>	BP_AL	pg. 149 - 150
<b>Fiberglass</b>	BP_FG	pg. 149 - 150
<b>Stainless Steel</b>	BP_SS	pg. 149 - 150
<b>Carbon Steel</b>	BP_CS	pg. 149 - 150

### Mounting Feet

<b>Mounting Feet</b>	pg. 39
----------------------	--------

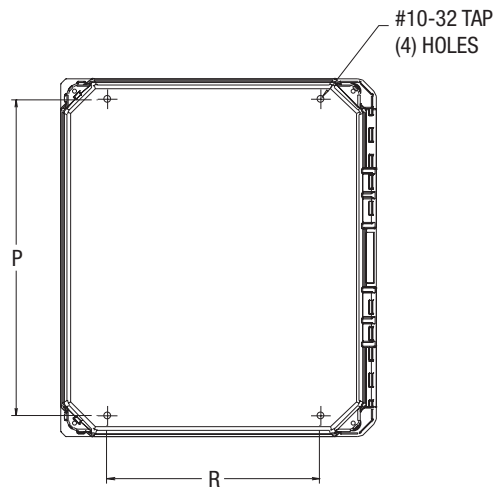
### Accessories

<b>Drain &amp; Breather Vents</b>	pg. 144, 146
<b>Hole Plugs</b>	pg. 145
<b>Assorted Hubs and Cord Grips</b>	pg. 145, 148
<b>All Other Accessories</b>	pg. 144 - 159

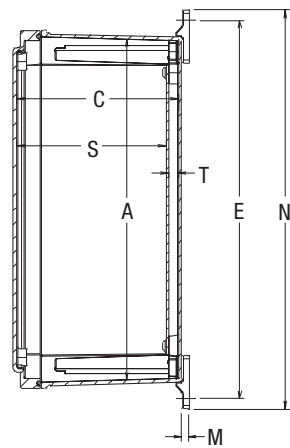
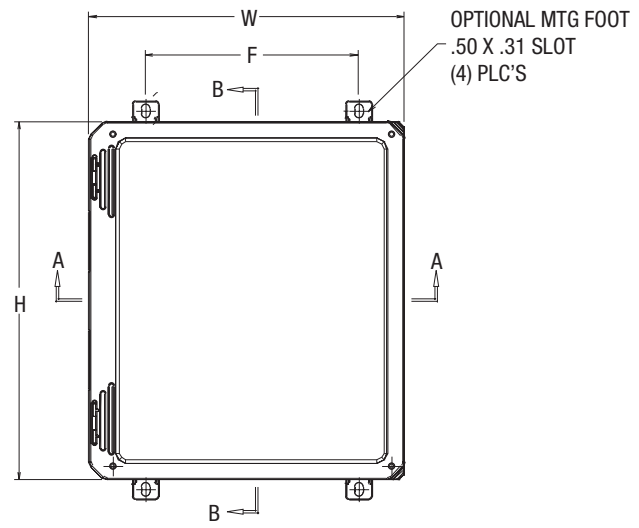
## HLL Modifications

<b>Custom Colors</b>	pg. 12 - 13
<b>Silk Screening</b>	pg. 12 - 13
<b>EMI/RFI Shielding</b>	pg. 12 - 13
<b>Custom Window</b>	pg. 12 - 13
<b>Custom Cutouts/Holes</b>	pg. 12 - 13

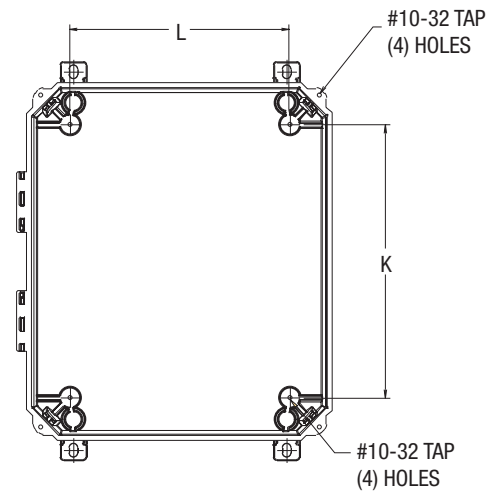
# DiamondShield Window Series Technical Drawings



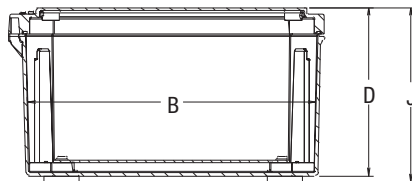
REAR VIEW



SECTION B-B



COVER  
REMOVED



SECTION A-A

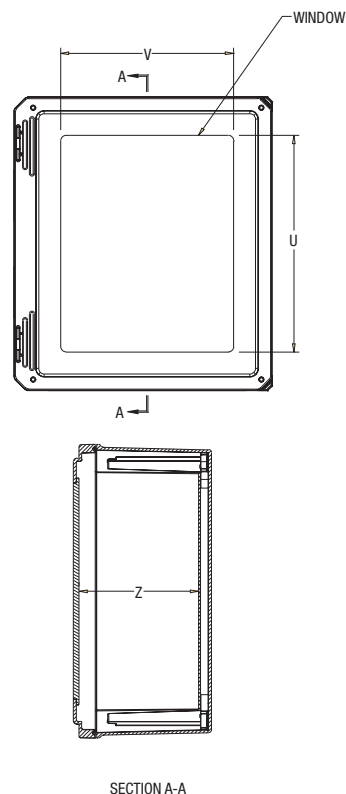
## DiamondShield Window Series Technical Drawings

### DiamondShield Window Series Enclosures

SIZE ID NUMBER	OVERALL H X W X D	INSIDE A X B X C	MOUNTING P X R	K	L	S	T	OPT. MOUNT. FEET E X F	N	J	M	SHIPPING WEIGHT	PANEL NUMBER
DSW60604HPL	7.41 x 7.79 x 4.31 (188 x 198 x 110)	6.77 x 6.77 x 4.06 (172 x 172 x 103)	5.93 x 4.00 (151 x 102)	4.25 (108)	4.25 (108)	3.60 (92)	.38 (10)	8.24 x 4.00 (209 x 102)	9.02 (229)	4.56 (116)	.25 (6)	3.8 lbs	BP66*
DSW80604HPL	9.41 x 7.79 x 4.31 (239 x 198 x 110)	8.77 x 6.77 x 4.06 (223 x 172 x 103)	7.91 x 4.00 (201 x 102)	6.25 (159)	4.25 (108)	3.60 (92)	.38 (10)	10.21 x 4.00 (259 x 102)	10.98 (279)	4.56 (116)	.25 (6)	4.1 lbs	BP86*
DSW80804HPL	9.39 x 9.76 x 4.31 (239 x 248 x 110)	8.74 x 8.74 x 4.06 (222 x 222 x 103)	7.91 x 6.00 (201 x 152)	6.25 (159)	6.25 (159)	3.60 (92)	.38 (10)	10.21 x 6.00 (259 x 152)	10.98 (279)	4.56 (116)	.25 (6)	4.9 lbs	BP88*
DSW100806HPL	11.42 x 9.79 x 6.31 (290 x 249 x 160)	10.73 x 8.73 x 6.06 (273 x 222 x 154)	9.89 x 6.00 (251 x 152)	8.25 (210)	6.25 (159)	5.60 (142)	.38 (10)	12.19 x 6.00 (310 x 152)	12.96 (329)	6.56 (167)	.25 (6)	6.2 lbs	BP1008*
DSW121006HPL	13.45 x 11.83 x 6.31 (342 x 301 x 160)	12.69 x 10.69 x 6.06 (322 x 272 x 154)	11.88 x 8.00 (302 x 203)	10.25 (260)	8.25 (210)	5.60 (142)	.38 (10)	14.18 x 8.00 (360 x 203)	14.95 (380)	6.56 (167)	.25 (6)	8.0 lbs	BP1210*
DSW141206HPL	15.49 x 13.86 x 6.34 (393 x 352 x 161)	14.72 x 12.72 x 6.06 (374 x 323 x 154)	13.91 x 10.00 (353 x 254)	12.25 (311)	10.25 (260)	5.60 (142)	.38 (10)	16.21 x 10.00 (412 x 254)	16.98 (431)	6.59 (167)	.25 (6)	10.0 lbs	BP1412*
DSW141208HPL	15.49 x 13.86 x 8.34 (393 x 352 x 212)	14.66 x 12.66 x 8.06 (372 x 322 x 205)	13.88 x 10.00 (353 x 254)	12.25 (311)	10.25 (260)	7.60 (193)	.38 (10)	16.19 x 10.00 (411 x 254)	16.96 (431)	8.59 (218)	.25 (6)	12.5 lbs	BP1412*
DSW161408HPL	17.58 x 15.96 x 8.34 (447 x 405 x 212)	16.69 x 14.69 x 8.06 (424 x 373 x 205)	15.96 x 12.00 (405 x 305)	14.25 (362)	12.25 (311)	7.60 (193)	.38 (10)	18.26 x 12.00 (464 x 305)	19.04 (484)	8.59 (218)	.25 (6)	13.3 lbs	BP1614*
DSW181610HPL	19.77 x 18.15 x 10.34 (502 x 461 x 263)	18.63 x 16.63 x 10.06 (473 x 422 x 256)	17.94 x 14.00 (456 x 356)	16.25 (413)	14.25 (362)	9.60 (244)	.38 (10)	20.24 x 14.00 (514 x 356)	21.02 (534)	10.59 (269)	.25 (6)	20.2 lbs	BP1816*
DSW201610HPL	21.79 x 18.16 x 10.34 (554 x 461 x 263)	20.63 x 16.63 x 10.06 (524 x 422 x 256)	19.96 x 14.00 (507 x 356)	18.25 (463)	14.25 (362)	9.59 (244)	.38 (10)	22.26 x 14.00 (566 x 356)	23.04 (585)	10.59 (269)	.25 (6)	21.7 lbs	BPJ2016*

All measures are in inches, items in parentheses are in millimeters

\*Panel sold separately



### Viewing Window Cover (DSW)

SIZE ID NUMBER	U	V	Z
DSW60604	4.25 (107.95)	4.25 (107.95)	3.48 (88.26)
DSW80604	6.25 (158.75)	4.25 (107.95)	3.48 (88.26)
DSW80804	6.25 (158.75)	6.25 (158.75)	3.48 (88.26)
DSW100806	8.25 (209.55)	6.25 (158.75)	5.48 (139.19)
DSW121006	10.25 (260.35)	8.25 (209.55)	5.48 (139.19)
DSW141206	12.25 (311.15)	10.25 (260.35)	5.48 (139.19)
DSW141208	12.25 (311.15)	10.25 (260.35)	7.48 (189.99)
DSW161408	14.25 (361.95)	12.25 (311.15)	7.48 (189.99)
DSW181610	16.25 (412.75)	14.25 (361.95)	9.48 (240.79)
DSW201610	18.25 (463.55)	14.25 (361.95)	9.46 (240.28)

All measures are in inches, items in parentheses are in millimeters.